



GUCHEN
Electronics

High-Voltage Interconnection and Control

Shenzhen Guchen Electronic Co., Ltd.

<https://www.guchen-connector.com>

MSD-C1 Series Manual Service Disconnect



Main Features

1. Suitable for applications such as ESS and NEVs;
2. Equipped with a secondary locking mechanism;
3. Compact size and lightweight design;
4. High Voltage Interlock (HVIL) function.

Ordering No.

MSD-C1 T B
(1) (2) (3)

(1) — Product series number

(2) — Product subtype: T = Plug, Z = Receptacle

(3) — "B" indicates a derived model.

Note: If signal terminals are required for the plug or receptacle, please contact our sales team for the specific model designation

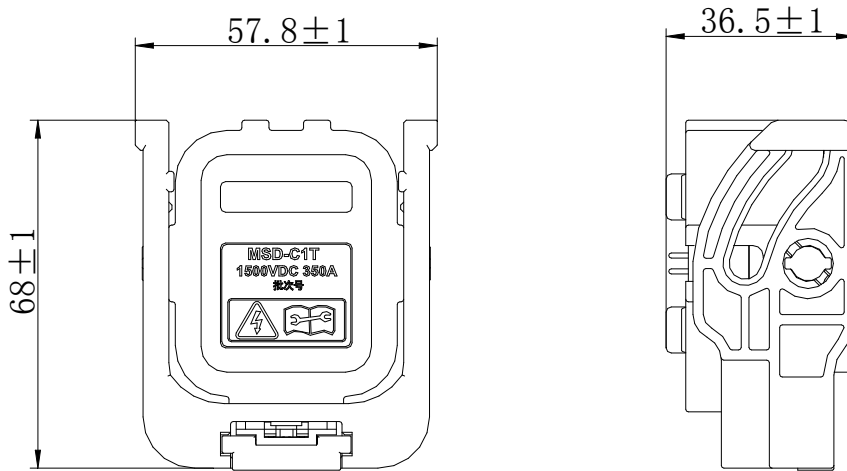
MSD-C1 Series Manual Service Disconnect

Overall Dimensions and Installation Dimensions

MSD-C1TB (Manual Service Disconnect Plug)

Overall Dimensions

unit: mm



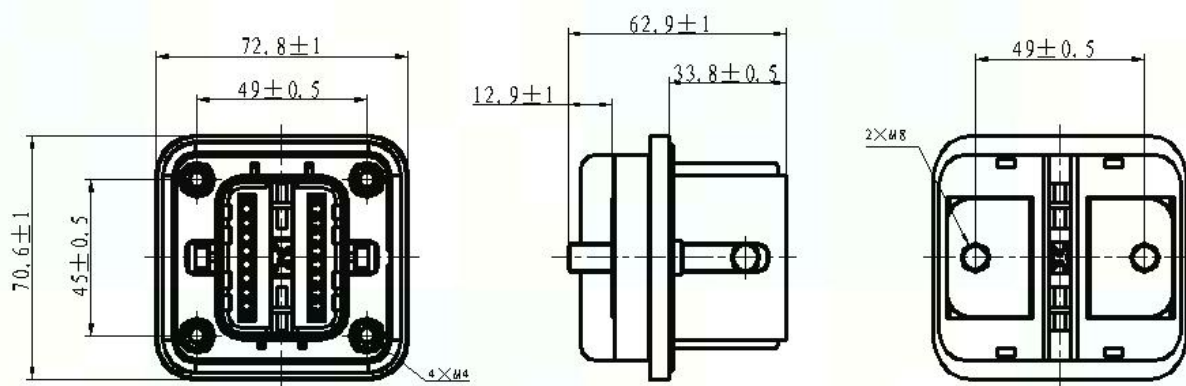
MSD-C1 Series Manual Service Disconnect

Overall Dimensions and Installation Dimensions

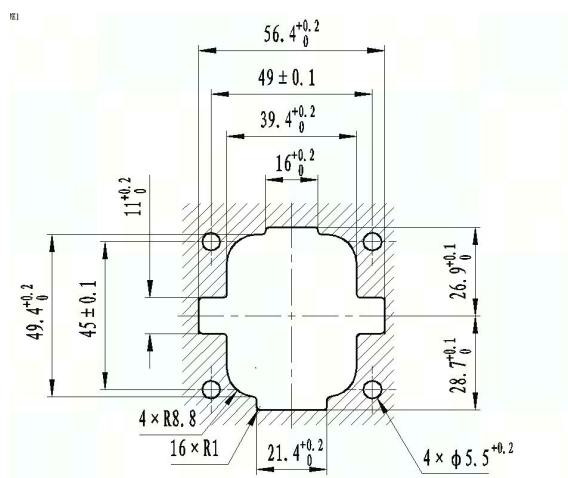
MSD-C1ZB (Manual Service DisconnectSocket)

Dimensional drawing and recommended panel cut-out size

unit: mm



Recommended panel cut-out size (panel thickness: 2-4.5 mm)



(推荐面板安装厚度: ≤ 4 mm 表面粗糙度: $\sqrt{3.2}$ 表面平面度: $\square 0.2$)

(Recommended panel mounting thickness: ≤ 4 mm)
(Surface roughness: Ra 3.2)
(Surface flatness: 0.2 mm)

MSD-C1 Series Manual Service Disconnect

Technical Parameter

Project	Parameters
Rated current	350A
Working voltage	1500VDC
Dielectric withstand voltage	5000VDC
Insulation resistance	≥5000M
Working temperature	-40℃~+85℃
Mechanical life	500 times
IP grade	IPX8 (mated state)
Flammability rating	UL94-V0

Matters Need Attention

1. The signal circuit receptacles are not supplied by default with accessories. Customers may specify the crimped wire specification and cable length. For specific part numbers, please contact the relevant sales representative.
2. The installation panel thickness shall be 4 mm. The M8 screw installation torque is 14 N·m.
3. Customers shall prepare four M5 bolt assemblies (including spring washers and flat washers) for installation. The recommended bolt length is $8 + A + B$ mm, where A is the panel thickness and B is the thickness of the flat and spring washers. The recommended installation torque for the four M5 mounting bolts is (5 ± 0.5) N·m.



Shenzhen Guchen Electronic Co., Ltd.

Address: 2A, Building 2, Hongji Xindu, Guanxing East Road, Longhua District, 518110 Shenzhen, China

Postal code: 518110

Tel: 86-0755-28013472

Web: <https://www.guchen-connector.com>